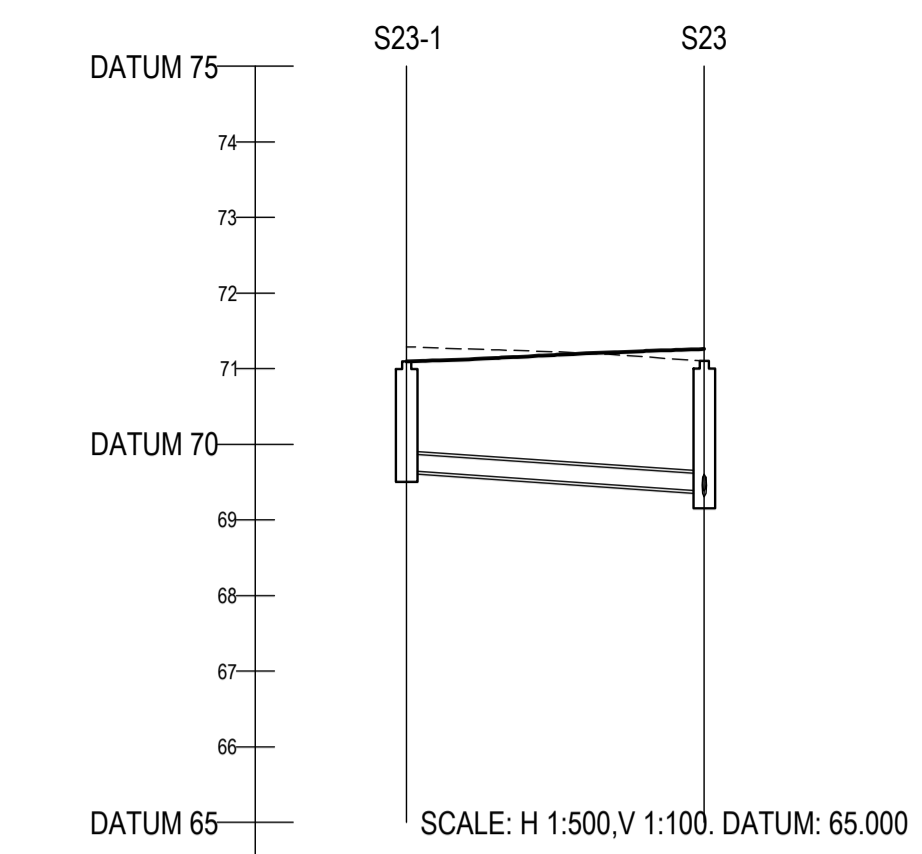
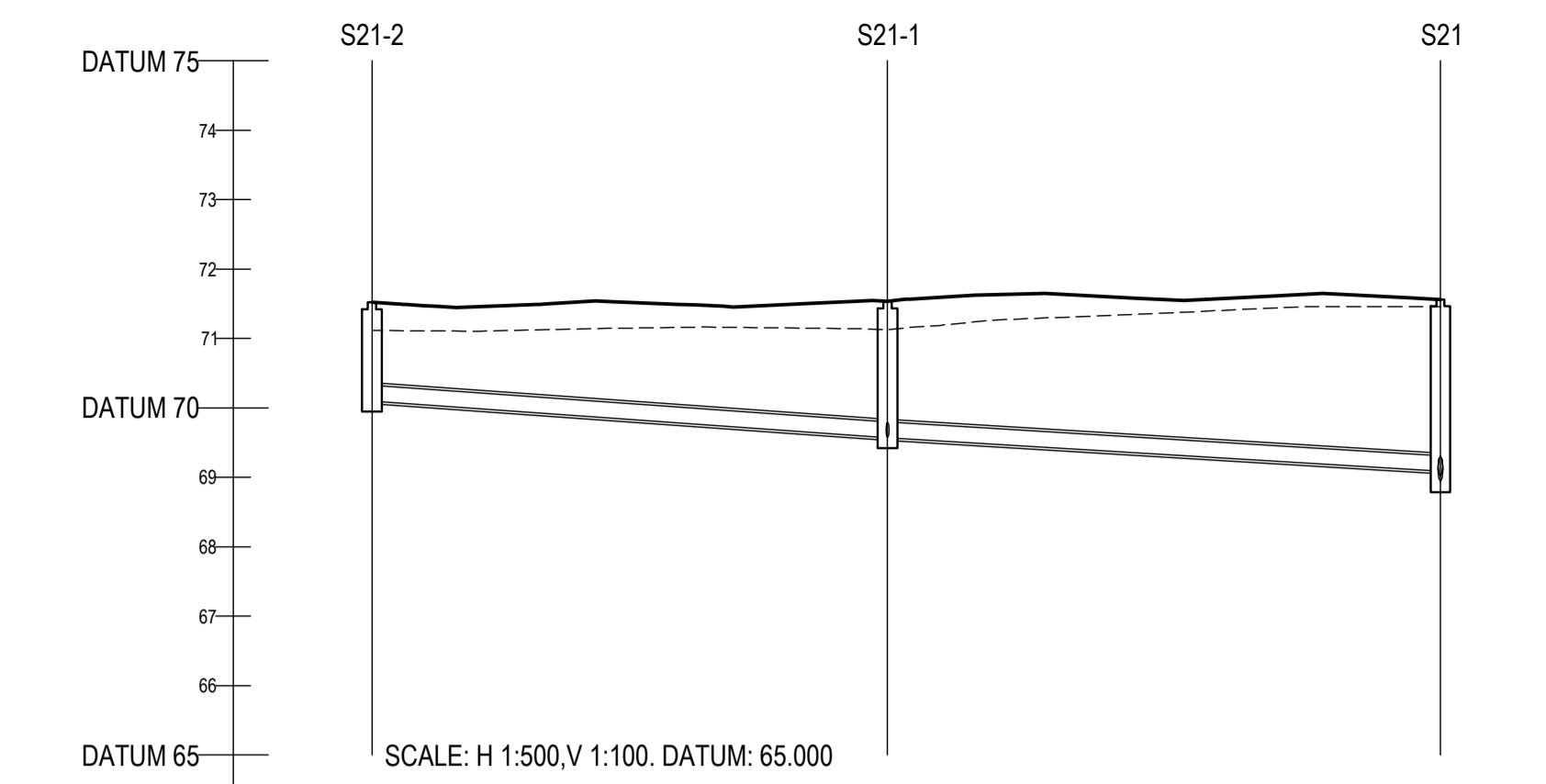


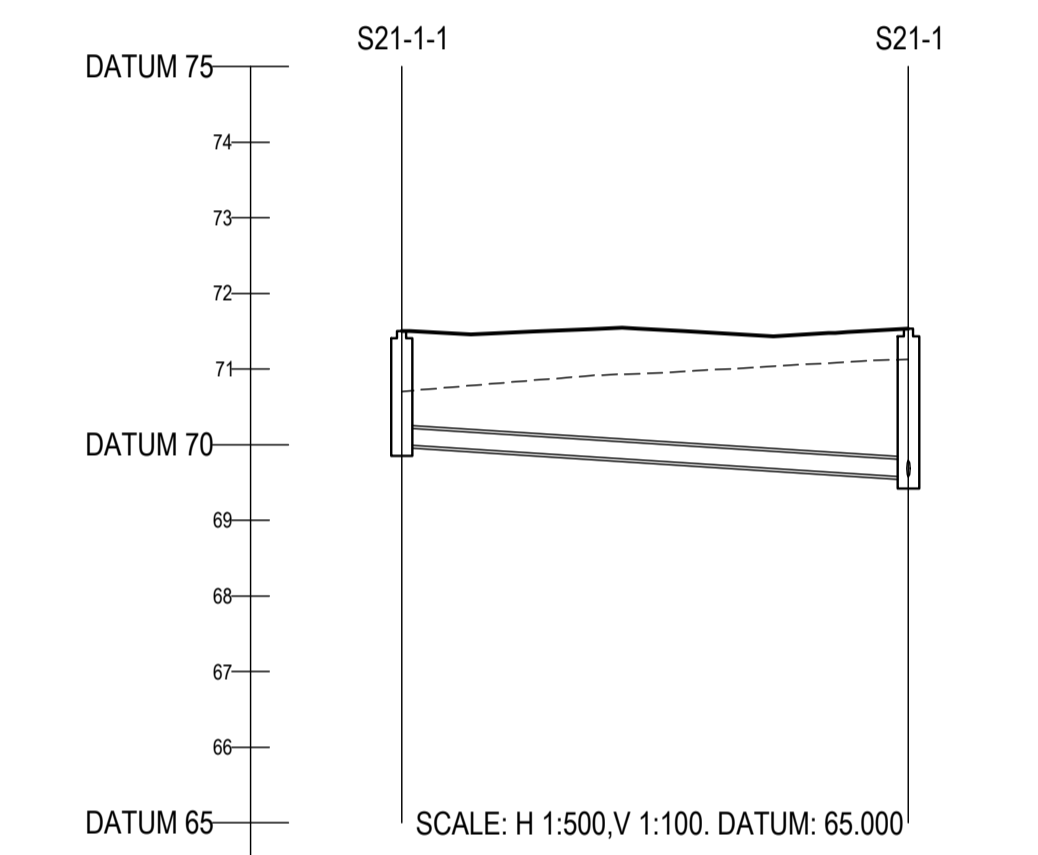
COVER LEVEL	66.808	66.275	65.231
INVERT LEVEL	64.328	64.294	64.140
DEPTH (m)	2.219	0.991	1.091
DISTANCE (m)		57.23	53.23
PIPE SLOPE		1.525	1.370
PIPE SIZE		600mm	600mm



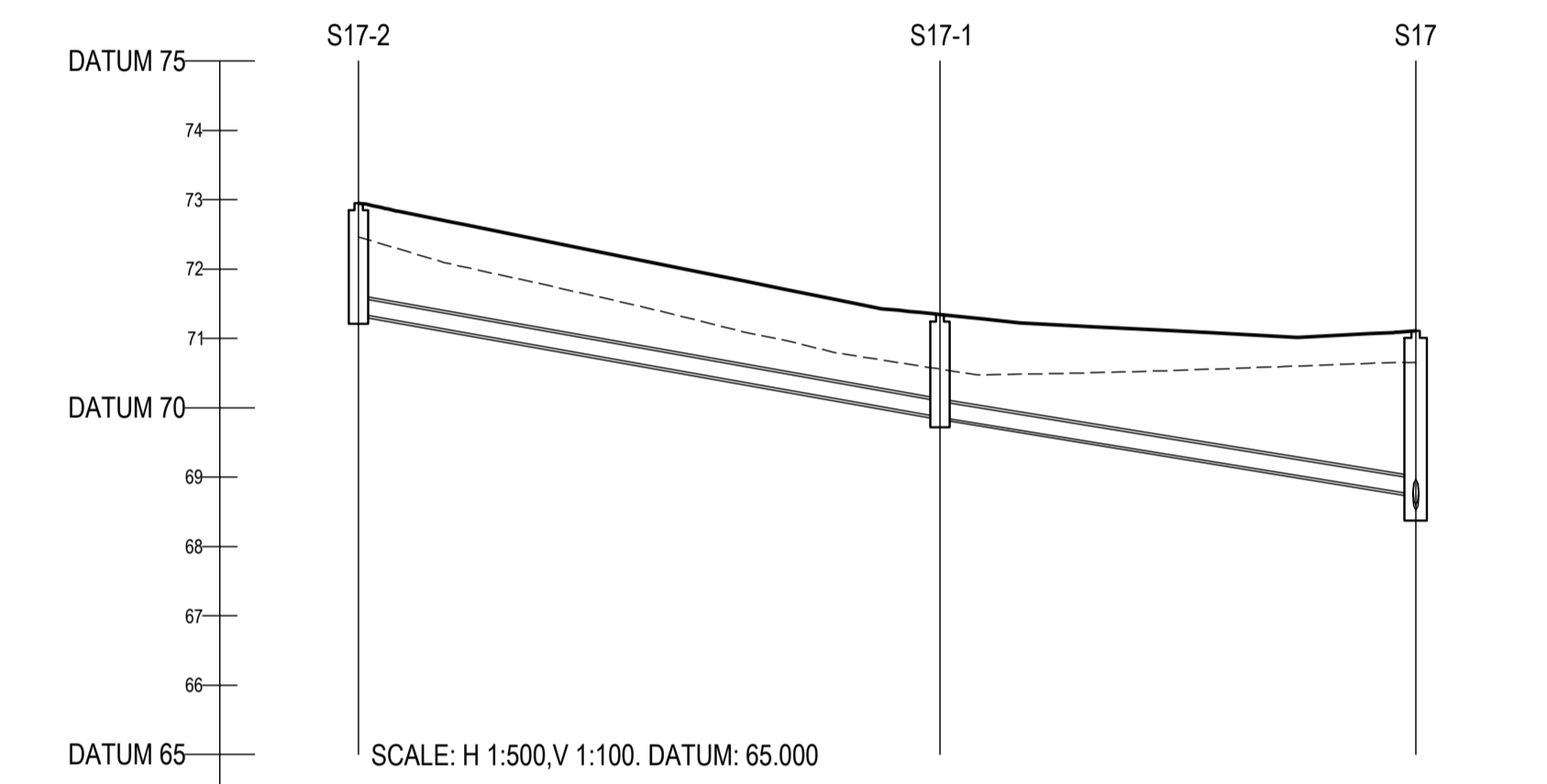
COVER LEVEL	71.098	71.102
INVERT LEVEL	69.653	69.382
DEPTH (m)	1.446	1.796
DISTANCE (m)		19.69
PIPE SLOPE		1.73
PIPE SIZE		225mm



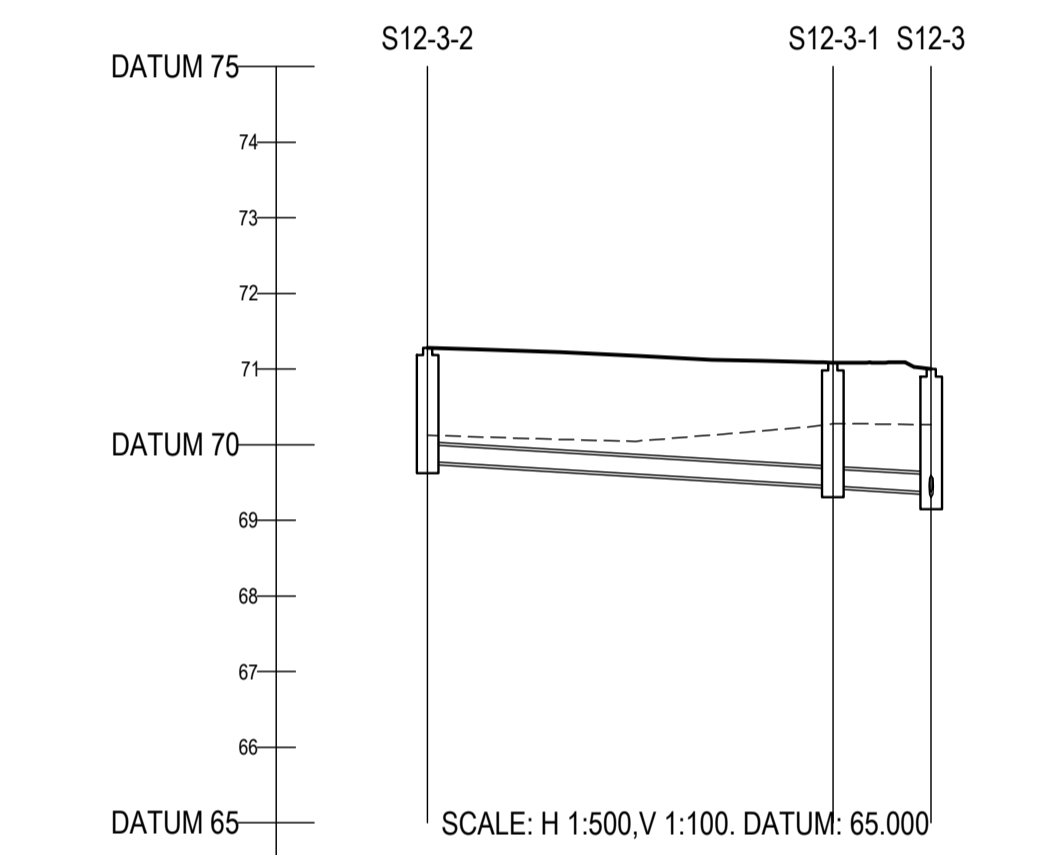
COVER LEVEL	71.521	71.534	71.953
INVERT LEVEL	70.100	69.572	69.099
DEPTH (m)	1.421	1.962	2.624
DISTANCE (m)		37.13	39.84
PIPE SLOPE		1.70	1.82
PIPE SIZE		225mm	225mm



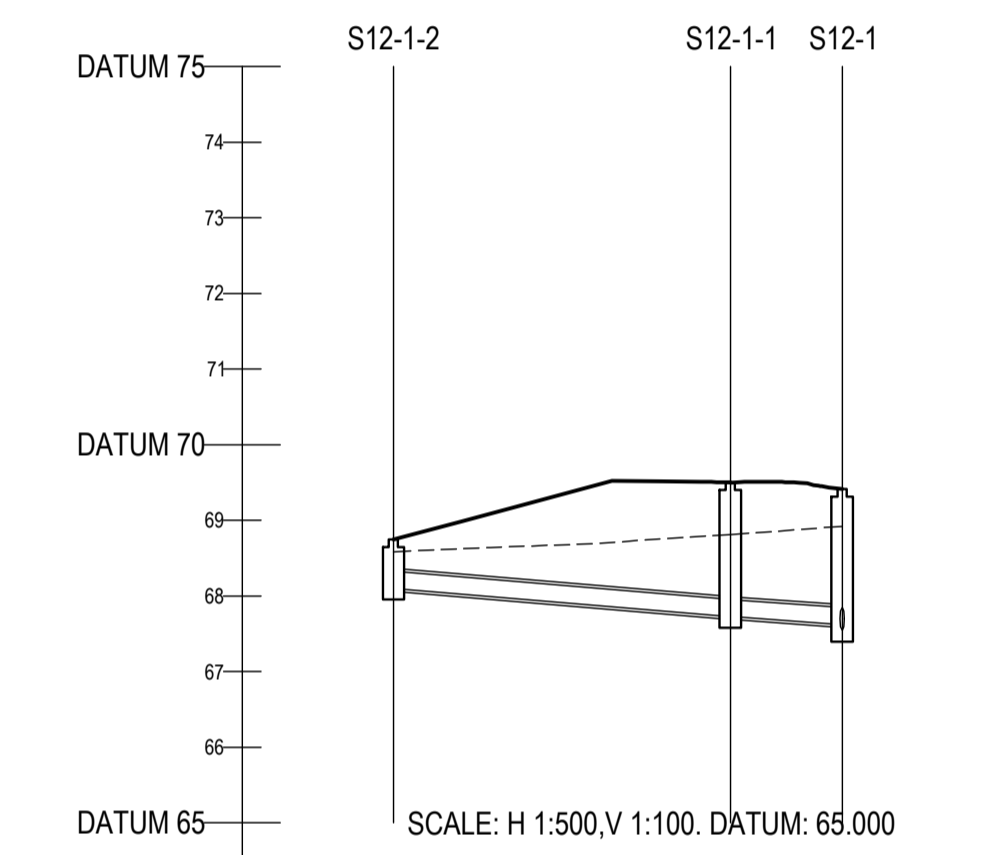
COVER LEVEL	71.595	71.534
INVERT LEVEL	70.000	69.572
DEPTH (m)	1.595	1.962
DISTANCE (m)		33.51
PIPE SLOPE		1.78
PIPE SIZE		225mm



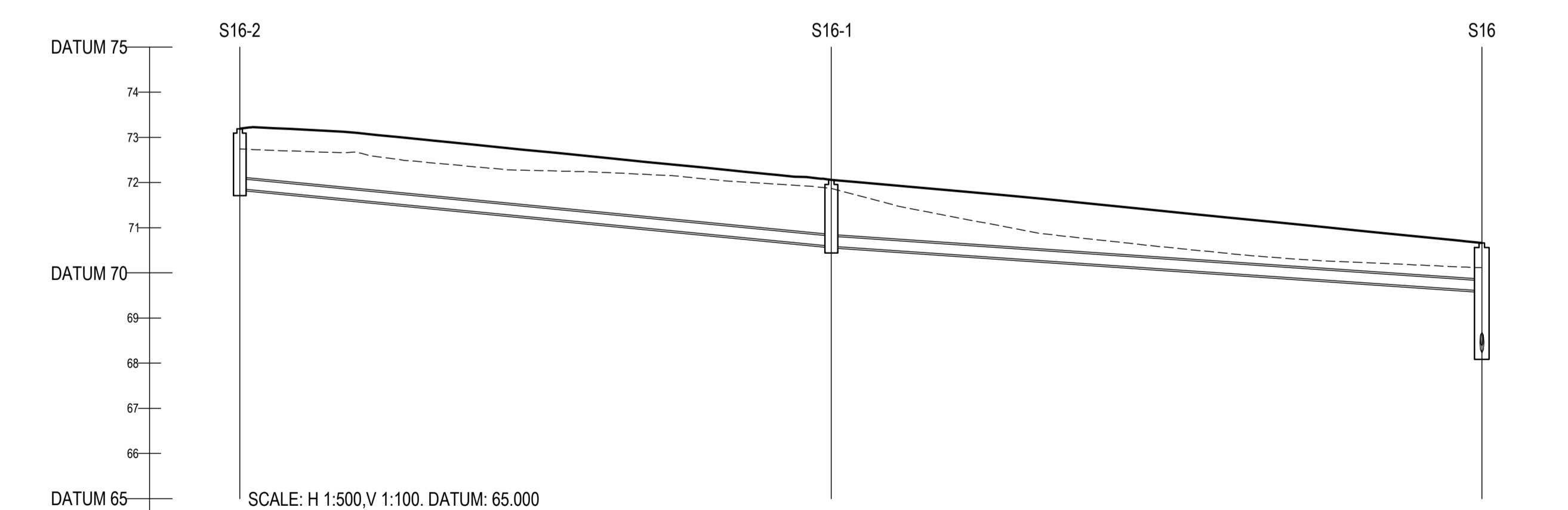
COVER LEVEL	72.951	71.343	71.107
INVERT LEVEL	71.398	69.895	68.745
DEPTH (m)	1.593	1.479	2.396
DISTANCE (m)		41.94	34.31
PIPE SLOPE		1.28	1.31
PIPE SIZE		225mm	225mm



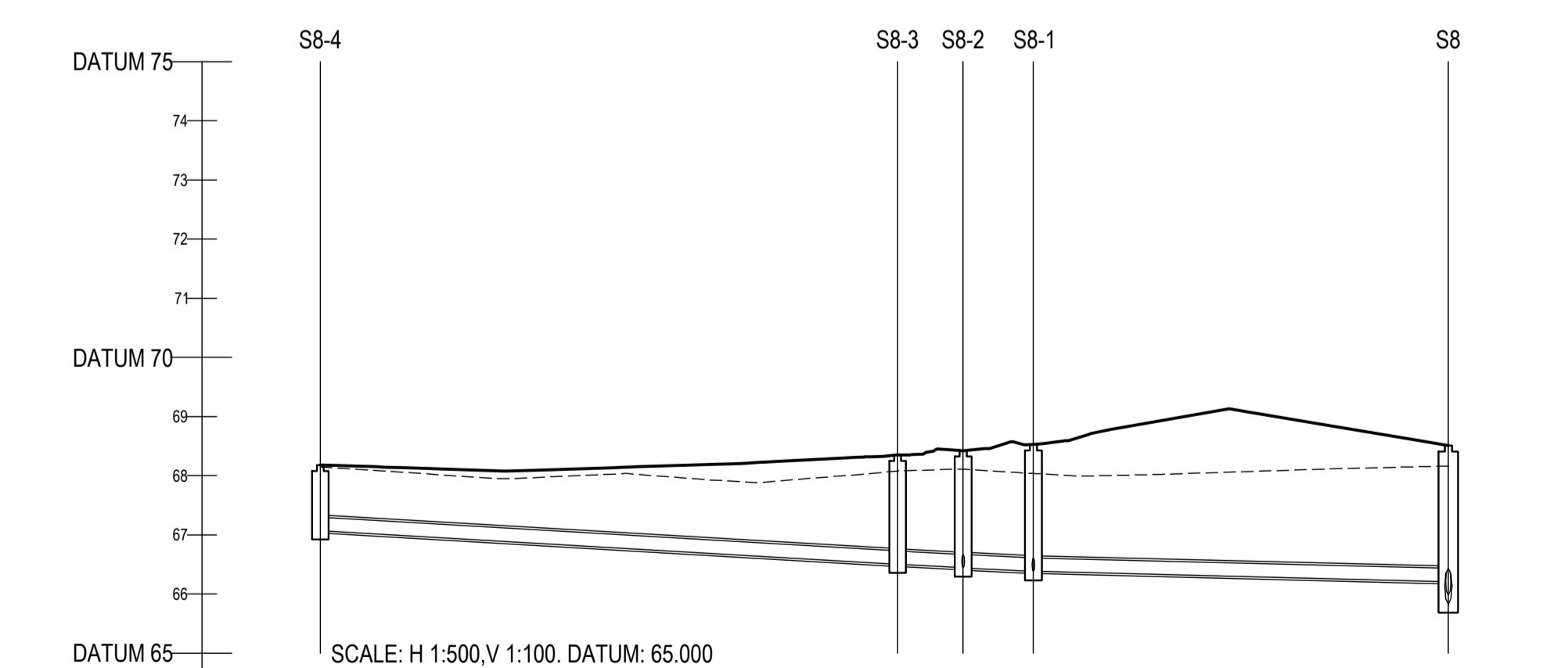
COVER LEVEL	71.983	71.883	71.001
INVERT LEVEL	69.776	69.454	69.374
DEPTH (m)	1.508	1.629	1.702
DISTANCE (m)		26.81	6.51
PIPE SLOPE		1.84	1.81
PIPE SIZE		225mm	225mm



COVER LEVEL	69.744	69.499	69.414
INVERT LEVEL	68.100	67.728	67.521
DEPTH (m)	0.644	1.771	1.898
DISTANCE (m)		22.28	7.39
PIPE SLOPE		1.60	1.69
PIPE SIZE		225mm	225mm

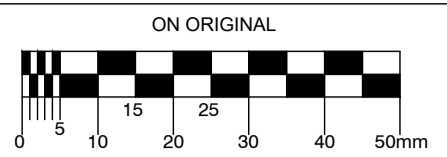


COVER LEVEL	73.192	72.058	70.693
INVERT LEVEL	71.862	70.369	69.603
DEPTH (m)	1.330	1.489	2.430
DISTANCE (m)		65.54	72.08
PIPE SLOPE		1.51	1.73
PIPE SIZE		225mm	225mm



COVER LEVEL	68.190	68.351	68.423	68.530	68.597
INVERT LEVEL	67.071	66.504	66.504	66.504	66.208
DEPTH (m)	1.119	1.847	1.982	2.147	2.674
DISTANCE (m)		46.80	5.54	5.94	35.07
PIPE SLOPE		1.86	1.88	1.102	1.200
PIPE SIZE		225mm	225mm	225mm	225mm

© COPYRIGHT OF THIS DRAWING IS RESERVED BY DBFL CONSULTING ENGINEERS. NO PART SHALL BE REPRODUCED OR TRANSMITTED WITHOUT THEIR WRITTEN PERMISSION.



- NOTES:
- ALL DRAWINGS TO BE CHECKED BY CONTRACTOR ON SITE AND ENGINEER INFORMED OF DISCREPANCIES BEFORE WORK COMMENCES
  - ALL LEVELS ARE IN METRES AND ARE RELATED TO ORDNANCE DATUM
  - CONTRACTOR SHALL SATISFY HIMSELF AS TO THE ACCURACY OF PAVEMENT LEVELS ON SITE PRIOR TO COMMENCEMENT OF WORKS ON SITE
  - ALL WORKS TO BE CONSTRUCTED IN ACCORDANCE WITH THE NRA SPECIFICATION FOR ROAD WORKS UNLESS NOTED OTHERWISE
  - THIS DRAWING IS FOR PLANNING PURPOSES ONLY
  - MANHOLE COVER LEVELS ARE TO CONFORM WITH FINISHED ROAD AND PATH LEVELS
  - WHERE COVER TO PIPE IS LESS THAN 1200mm (ROAD/PATH/VERGE) OR 900mm (OPEN SPACE) SURROUND PIPE IN MINIMUM 150mm CONCRETE

KEY

- - - - - EXISTING GROUND PROFILE
- PROPOSED GROUND PROFILE

B	14-09-21	FOR SHD APPLICATION	JVS	BK
A	16-07-21	REVISED LAYOUT	JVS	BK
REV	DATE	DESCRIPTION	BY	CHKD

**PLANNING**

DESIGNED	EJD	PREPARED	JVS
DATE	AUG 2019	CHECKED	BK

DBFL Consulting Engineers email: info@dbfl.ie site: www.dbfl.ie

PROJECT  
**LANDS AT CLONMINCH,  
 TULLAMORE, CO OFFALY**

DRG. TITLE  
**LONGITUDINAL SECTIONS  
 THROUGH SURFACE  
 WATER SHEET 2**

CLIENT  
**STEINFORT INVESTMENTS  
 FUND**